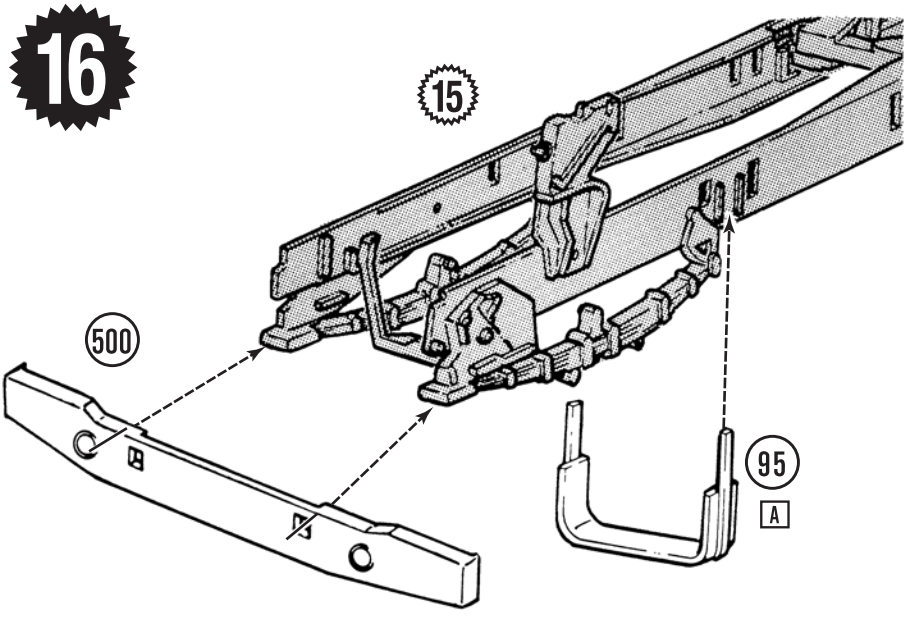
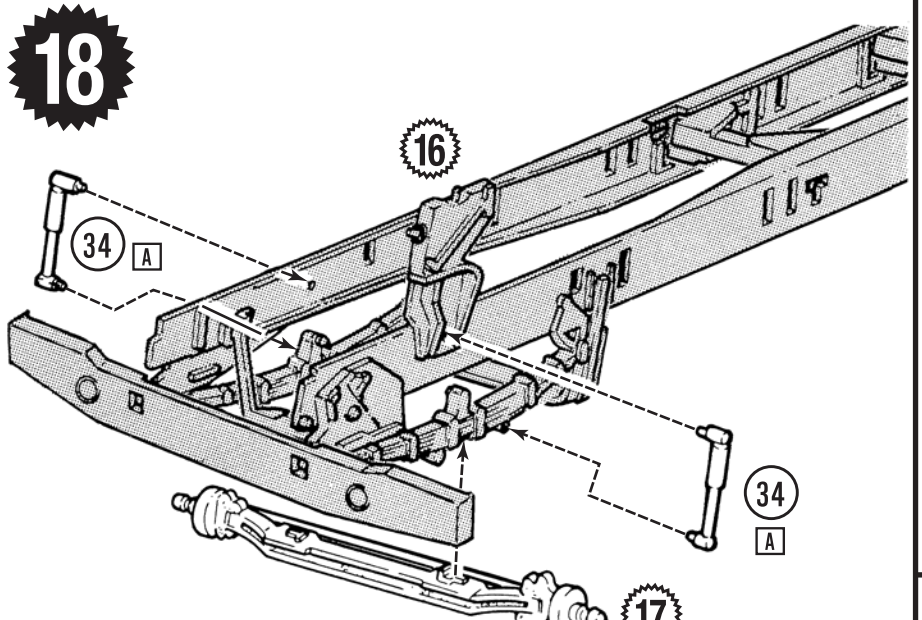


16



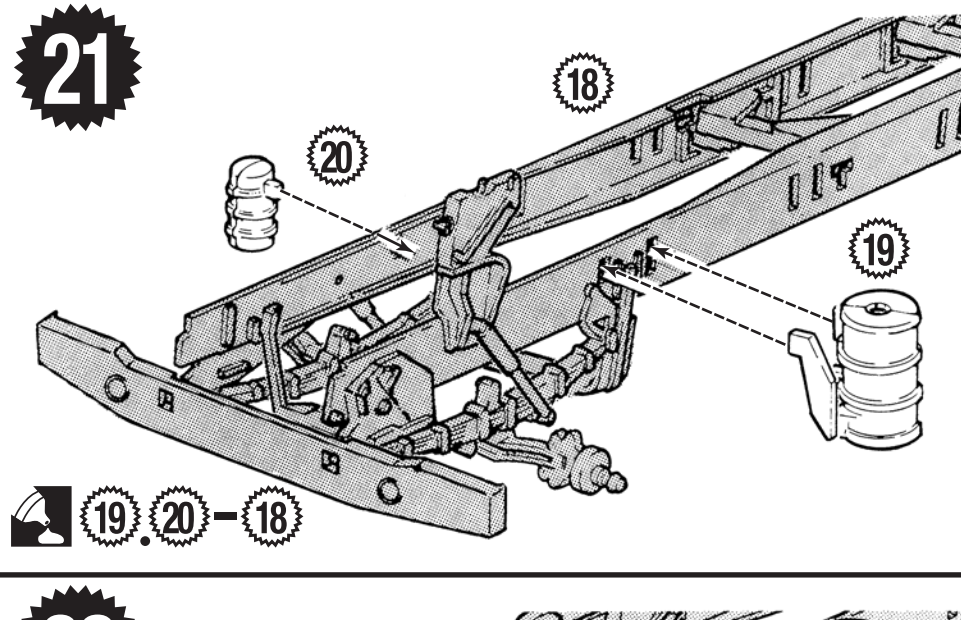
500 95 15

18



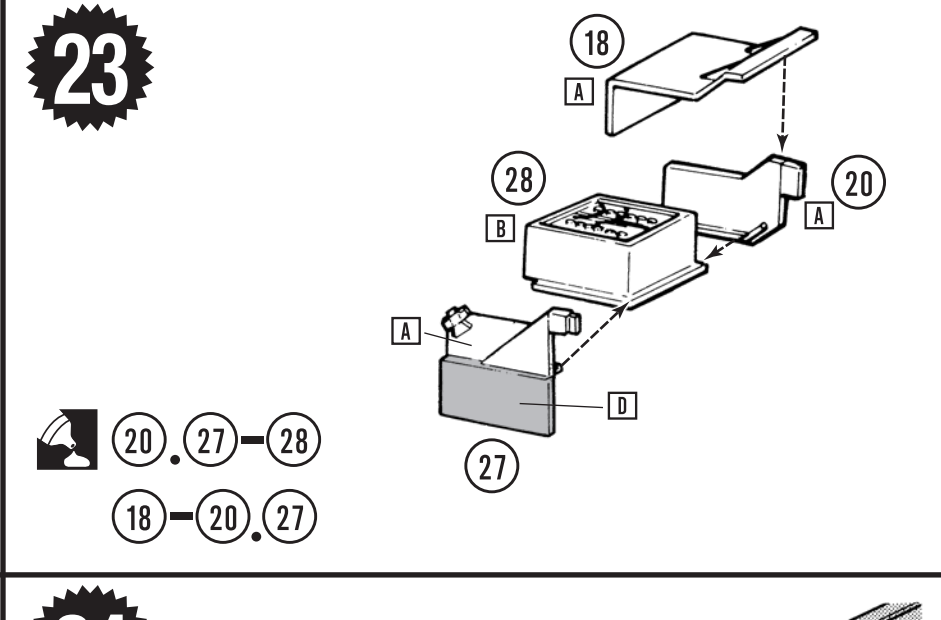
34 34 16 17 16

21



19 20 18

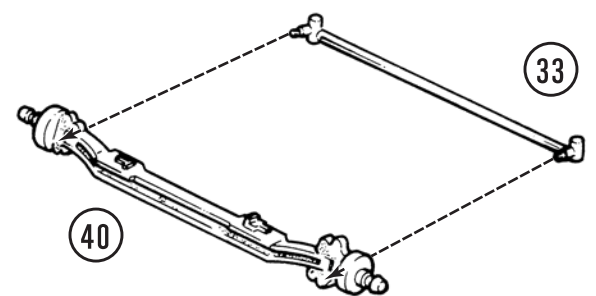
23



20 27 28 18 20 27

17

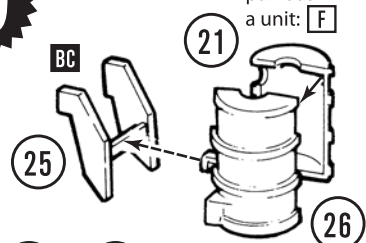
Assemble and paint as a unit: A



33 40

19

Assemble and paint as a unit: F

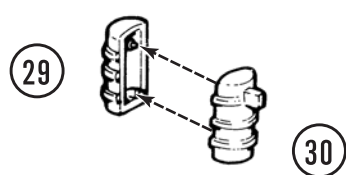


21 26

(21 26) 25

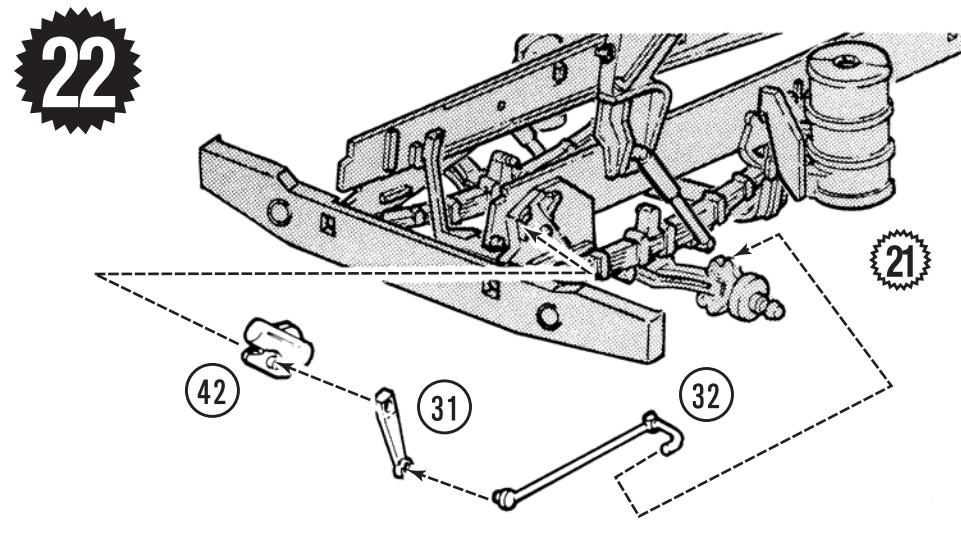
20

Assemble and paint as a unit: BC



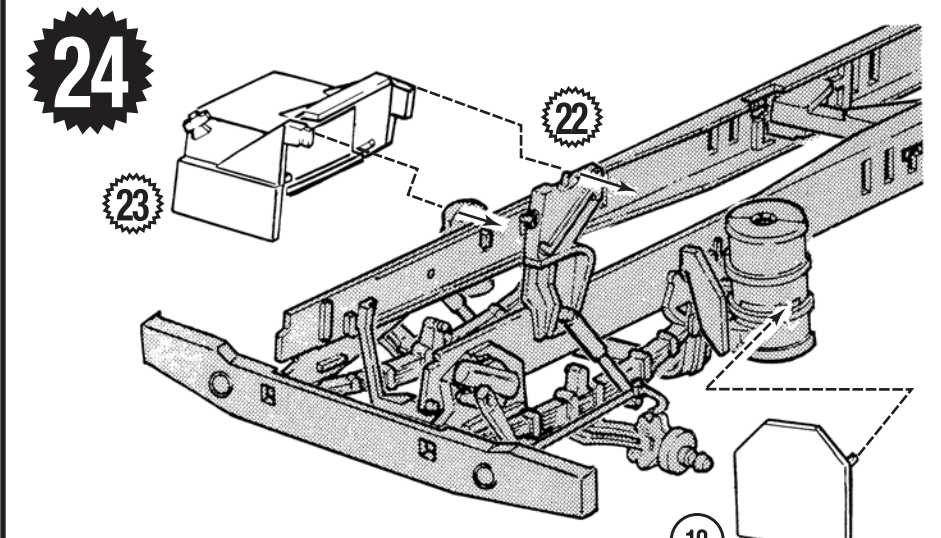
30 29

22

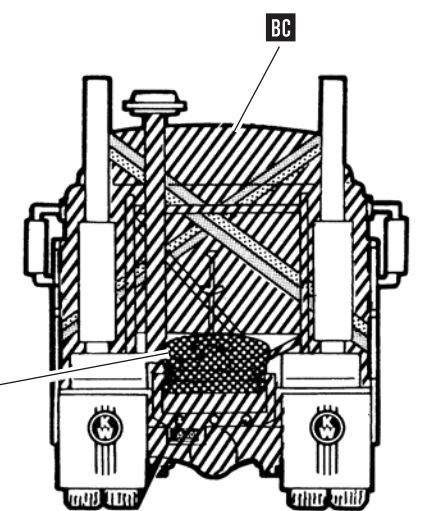
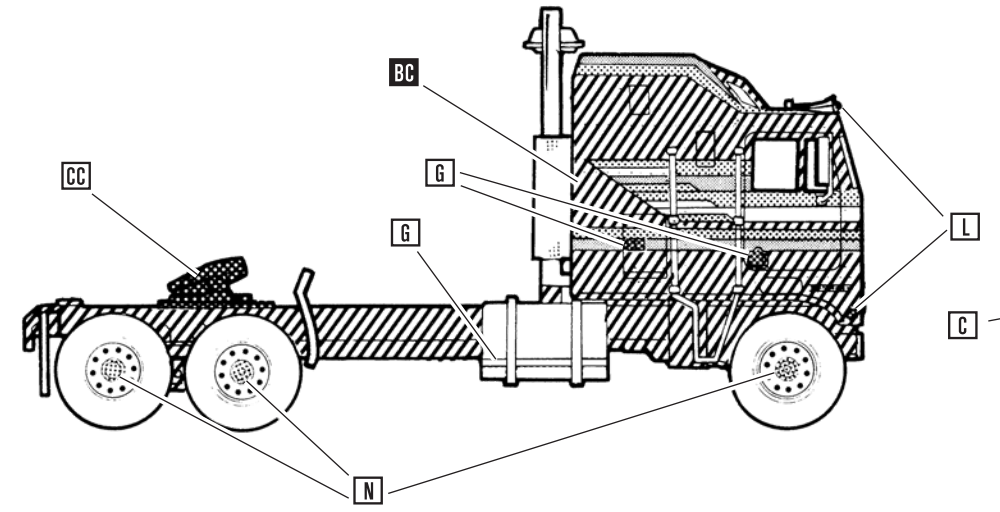
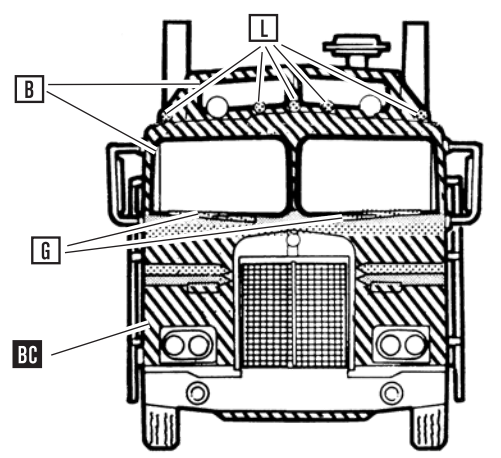
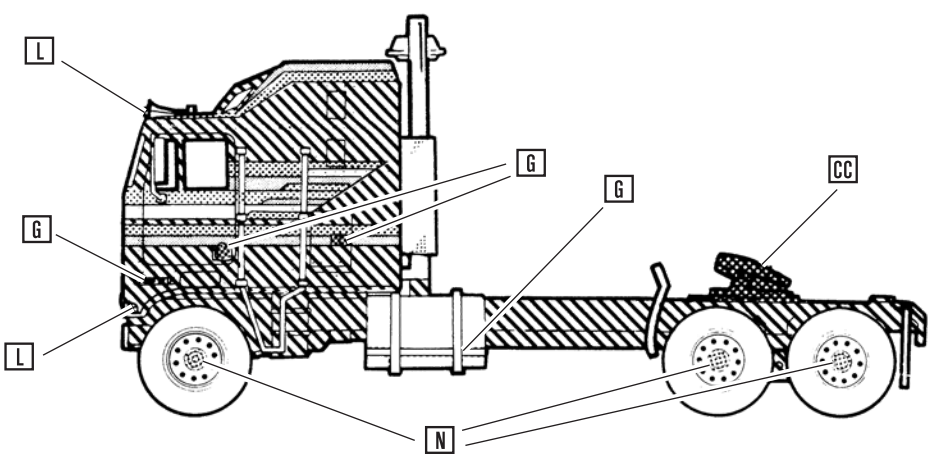


42 21 31 42 32 31 21

24



19 22 23 22



KENWORTH AERODYNE CABOVER



A1463-200

KENWORTH AERODYNE CABOVER

1/25 SCALE

IMPORTANT! READ THESE POINTS BEFORE YOU BEGIN

- 1 "TEST FIT" all parts before cementing. Trim excess plastic from parts before joining.
- 2 Cement all parts unless otherwise indicated by the instructions.
- 3 Use paint and cement made for styrene plastic only.
- 4 Paint all sub-assemblies before attaching chrome parts.
- 5 Scrape chrome and paint away from surfaces to be cemented together.
- 6 Assemble parts in sequence shown. Each part is identified by a number.



Cement parts together



Repeat several times



Do not cement together



Completed assembly



Optional part provided



Assembly sequence



Apply decals now



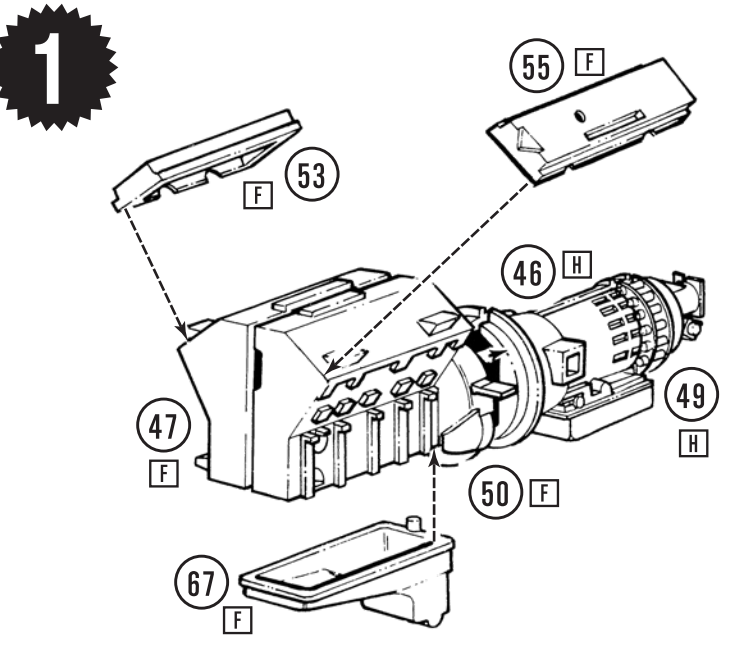
Part number

PAINT COLORS

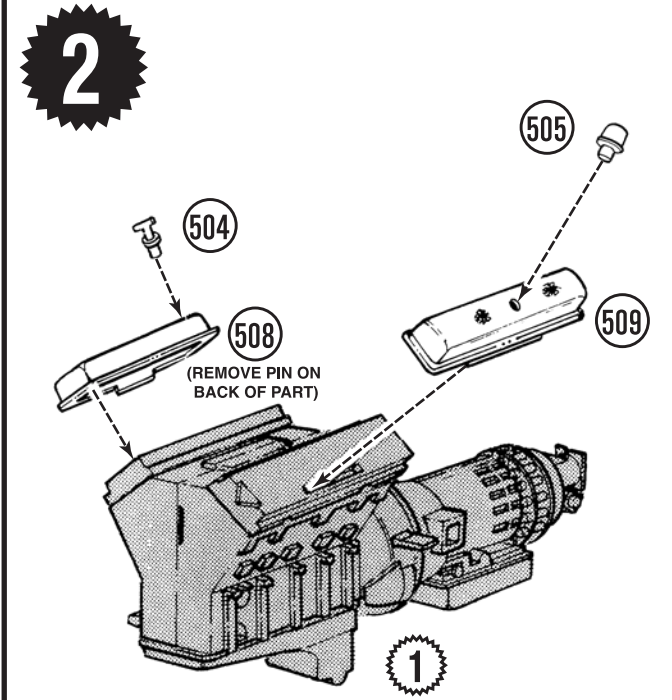
A	Black	Q	Yellow
B	Flat Black	R	Light Tan
C	Semi-Gloss Black	S	Light Brown
D	White	T	Lt. Blue
E	Flat White	U	Med. Blue
F	Silver	V	Dark Blue
G	Chrome (Bright Silver)	W	Dark Brown
H	Aluminum	X	Ivory
I	Steel	Y	Woodgrain
J	Brass	Z	Lt. Gray
K	Gold	CC	Chassis Color
L	Amber	IC	Interior Color
M	Transparent Amber	BC	Body Color
N	Red	▲	Semi-Gloss
O	Transparent Red	△	Gloss
P	Orange	▲	Metallic

KENWORTH and KW & DESIGN TRADEMARKS LICENSED BY PACCAR INC., BELLEVUE, WASHINGTON, U.S.A. Goodyear (and Winged Foot Design) and Blimp Design are trademarks of The Goodyear Tire & Rubber Company used under license by Round 2, LLC, South Bend, IN 46628. Copyright 2024 The Goodyear Tire & Rubber Company. AMT and design is a registered trademark of Round 2, LLC, South Bend, IN 46628 USA. Product and packaging designed in the USA. Made in China. All rights reserved.

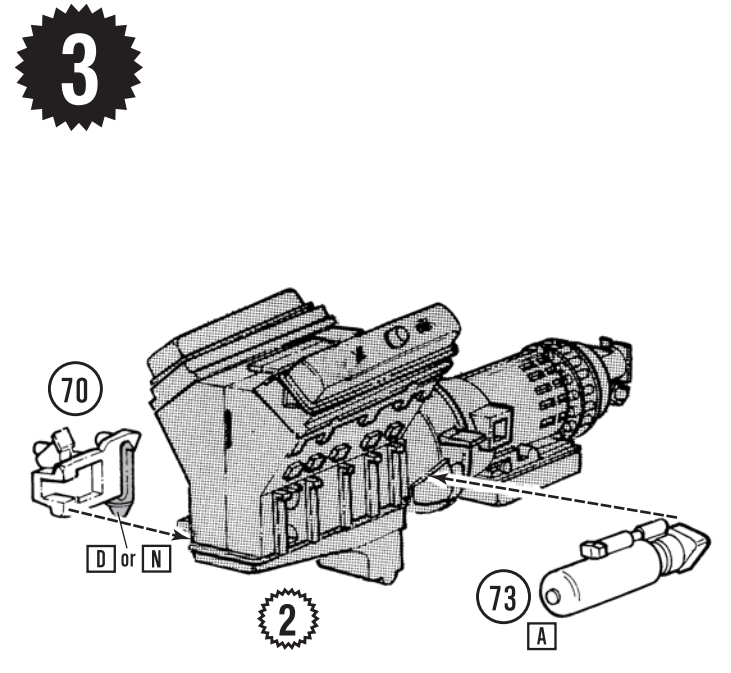
It is recommended that you search the Internet for additional color references and details.



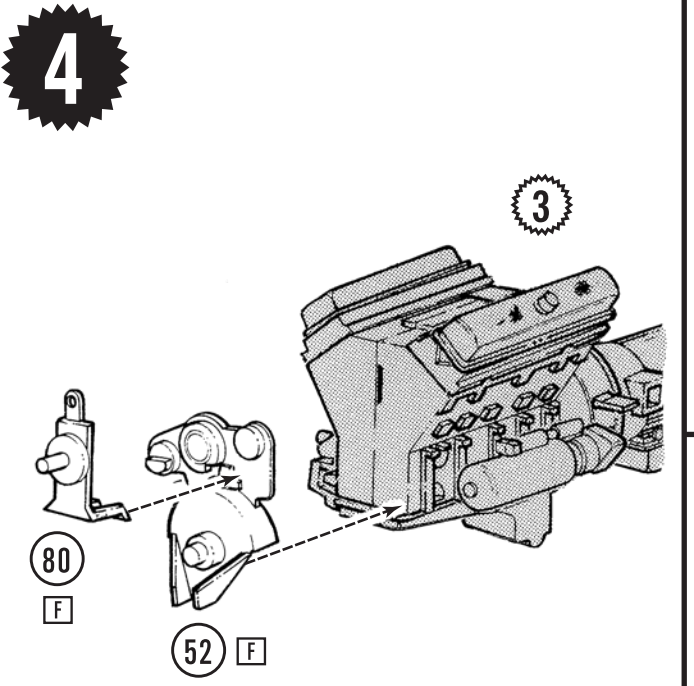
- 47-50
- 46-49
- (47, 50)-(46, 49)
- 53, 55, 67-(47, 50)



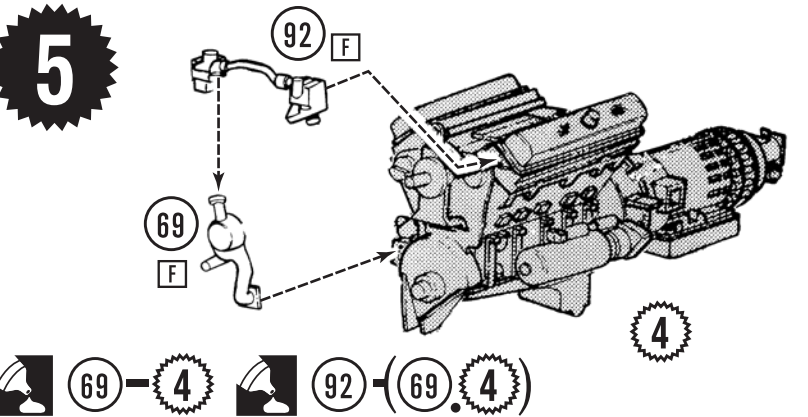
- 504-508-1
- 505-509-1



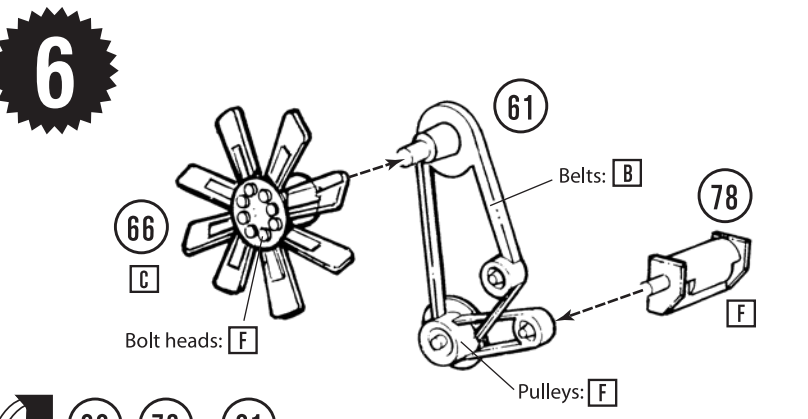
- 70, 73-2



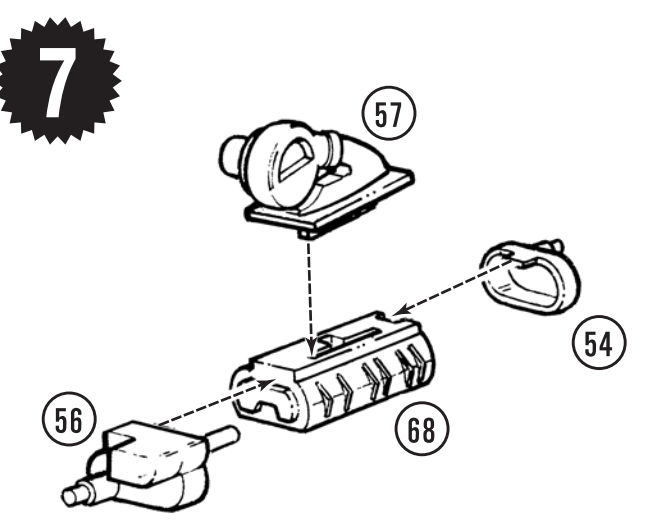
- 52-3
- 80-52



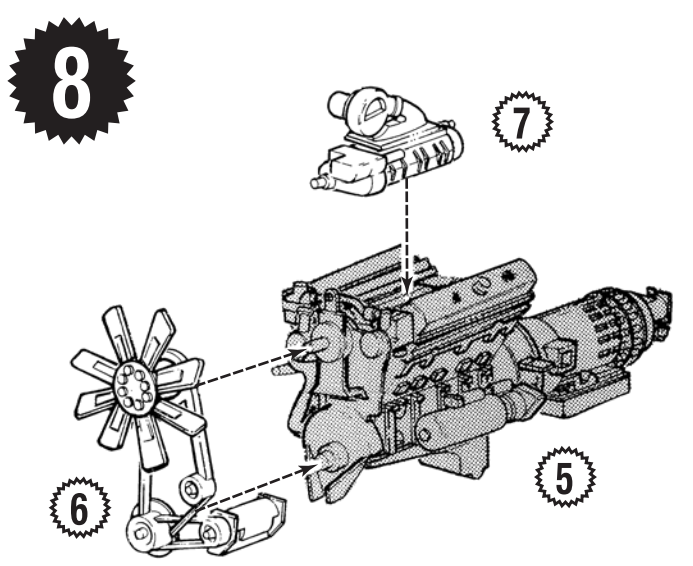
- 69-4
- 92-(69, 4)



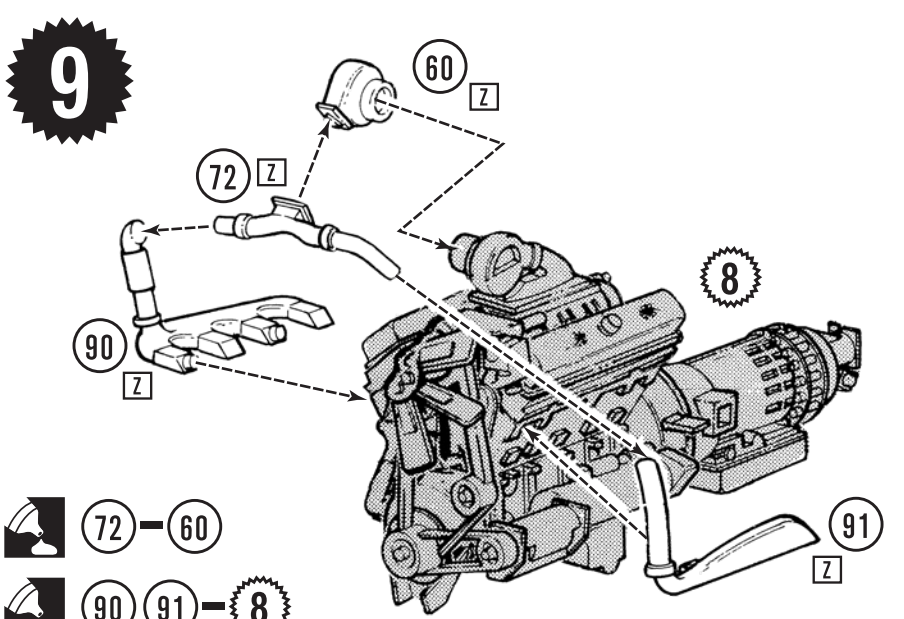
- 66, 78-61



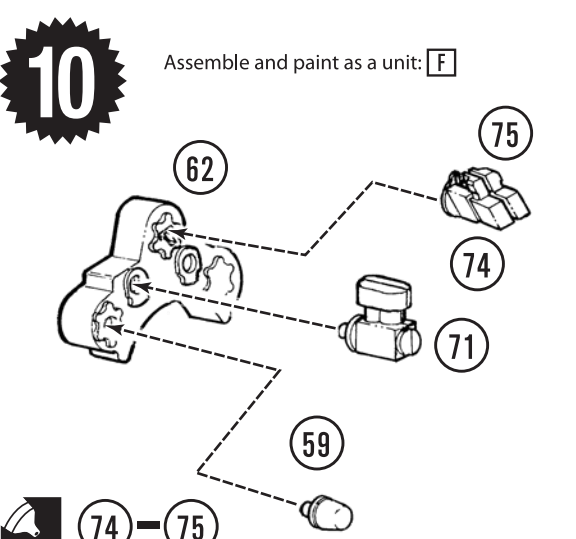
- Assemble and paint as a unit: F
- 54, 56, 57-68



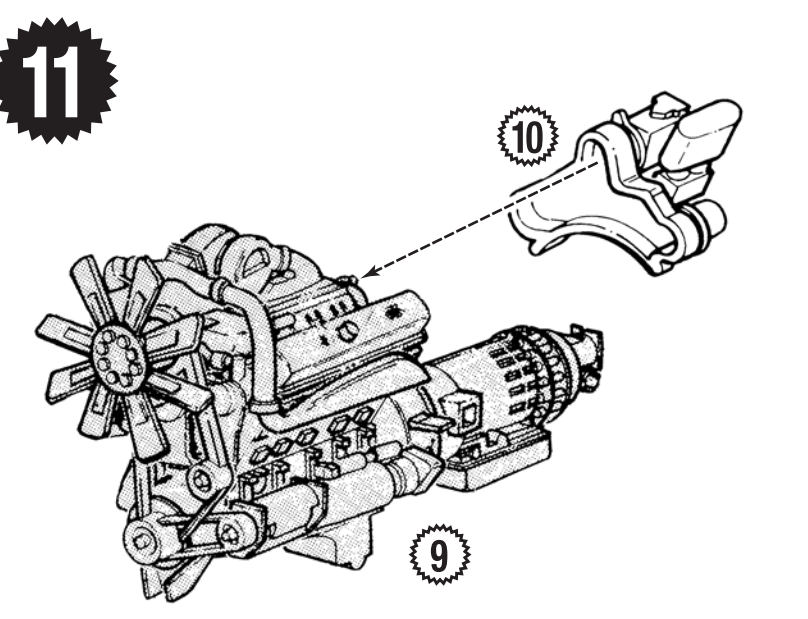
- 6, 7-5



- 72-60
- 90, 91-8
- (60, 72)-90, 91, 8



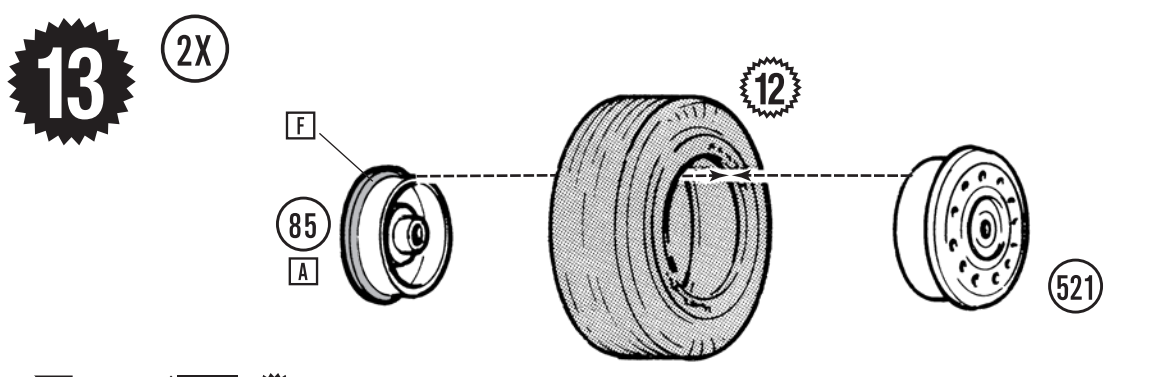
- 74-75
- (74, 75)-62
- 71, 59-62



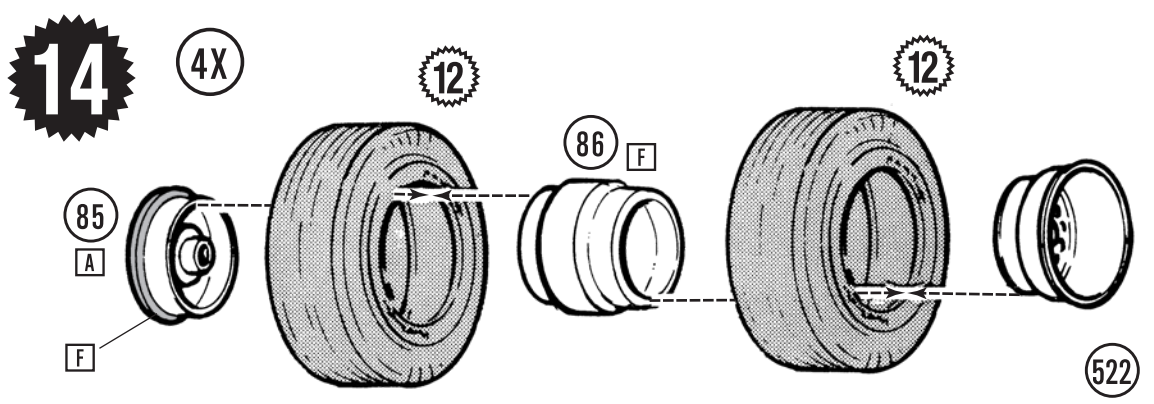
- 10-9



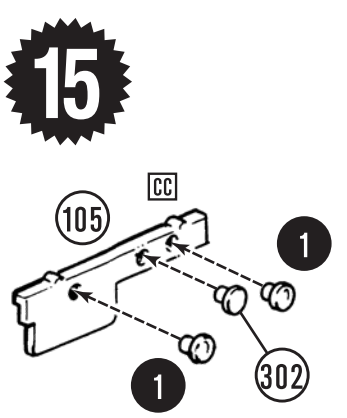
• COUNT TIRES



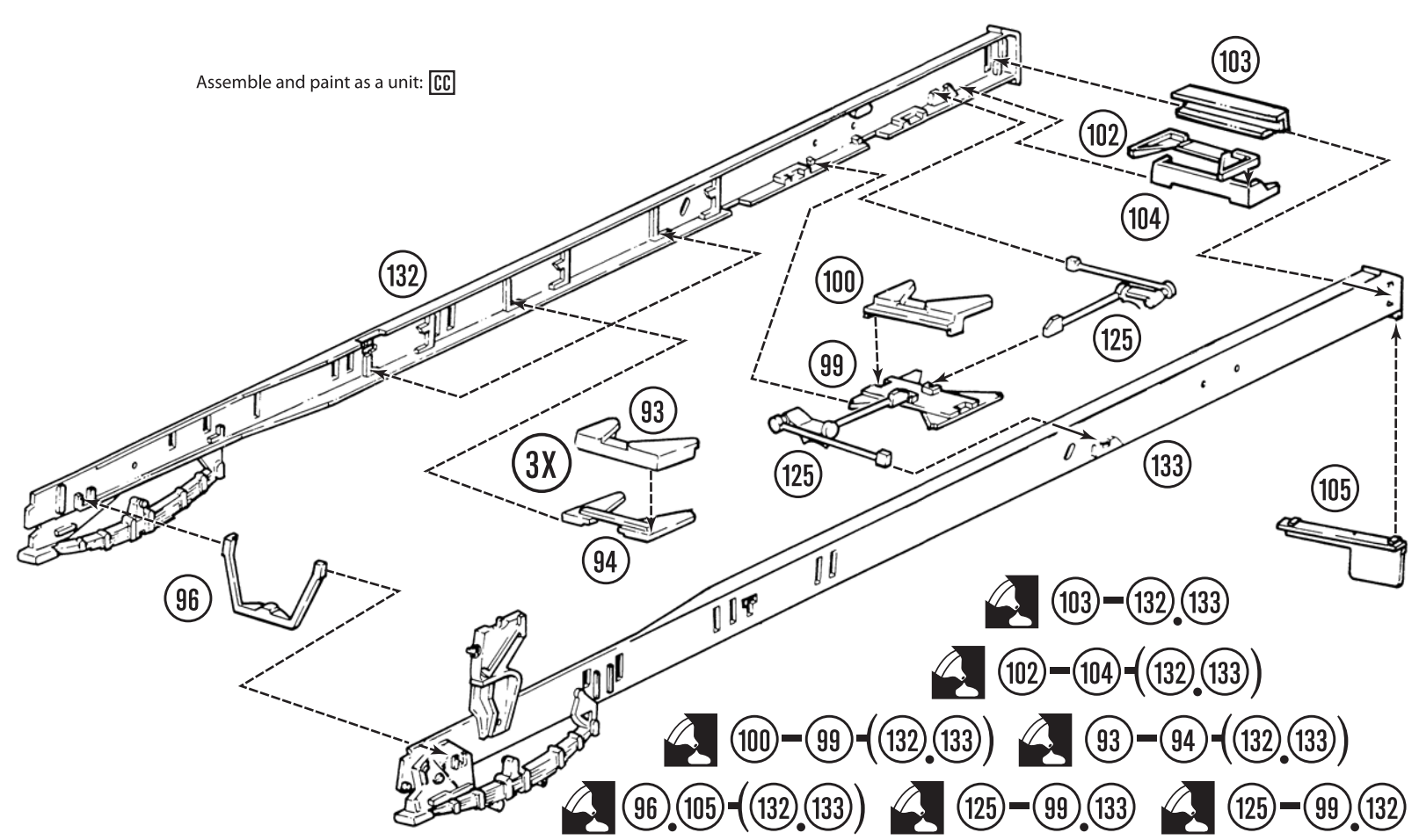
- 521-(X)12-85



- 522-(X)12-86-(X)12-85

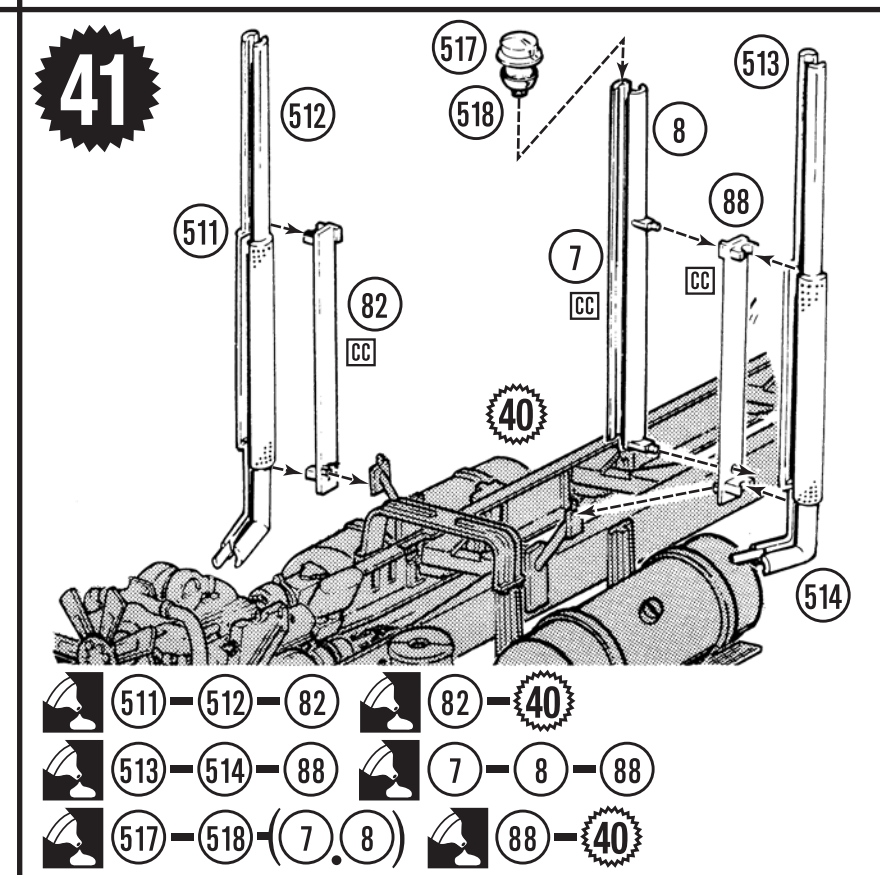
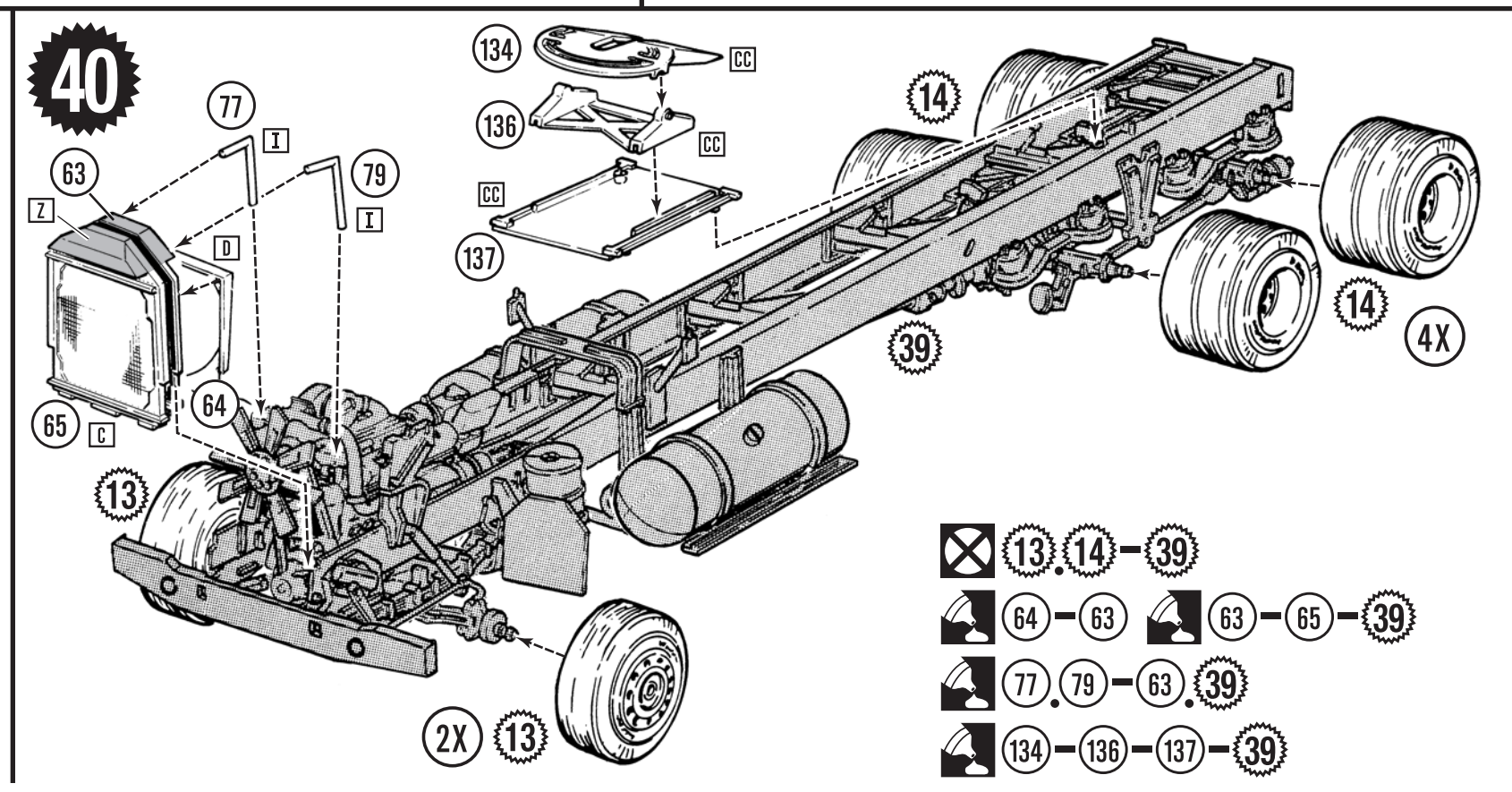
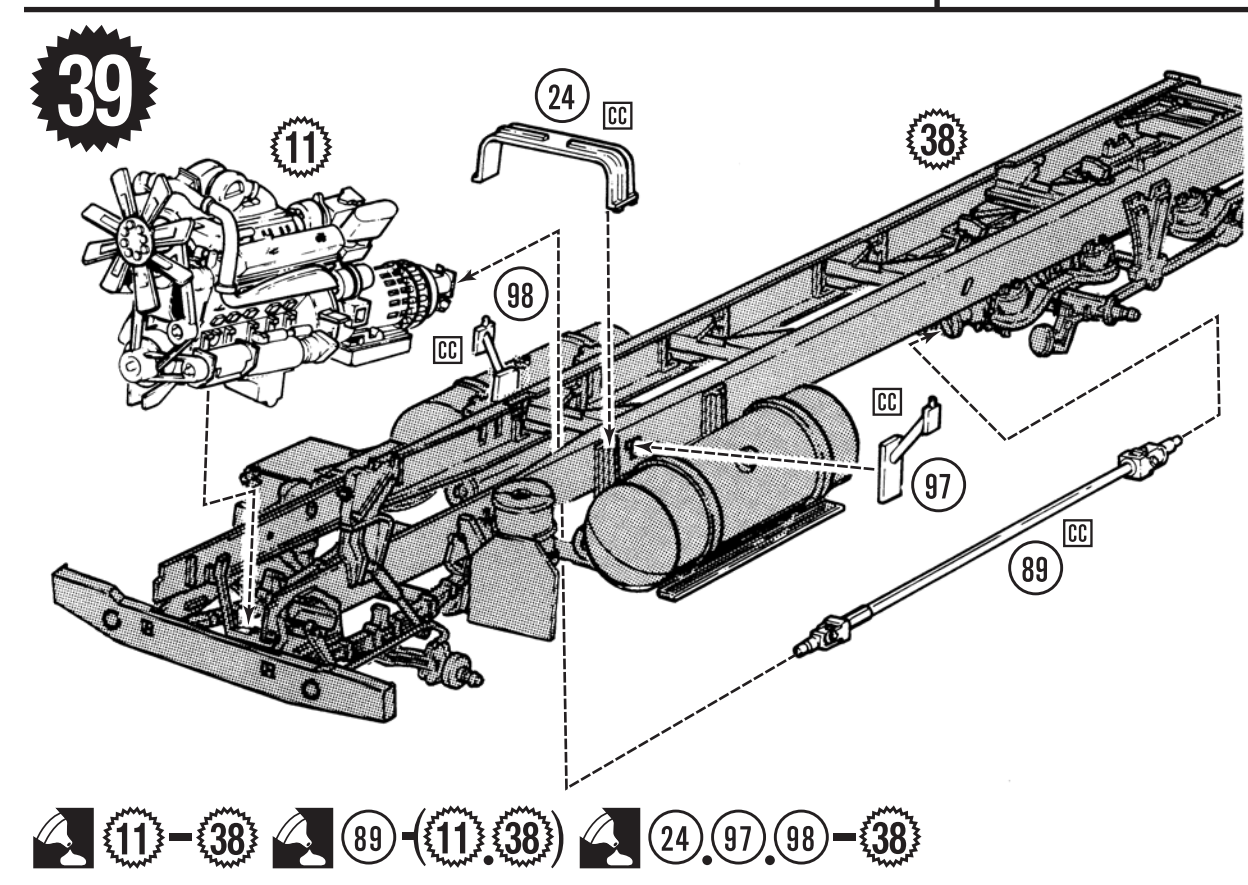
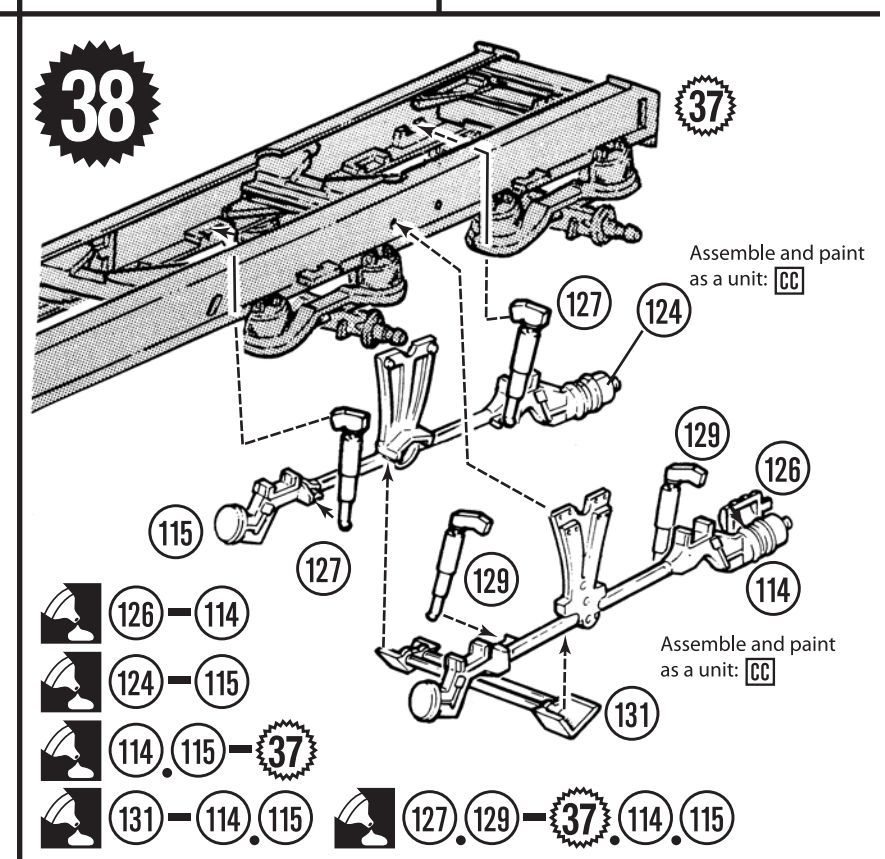
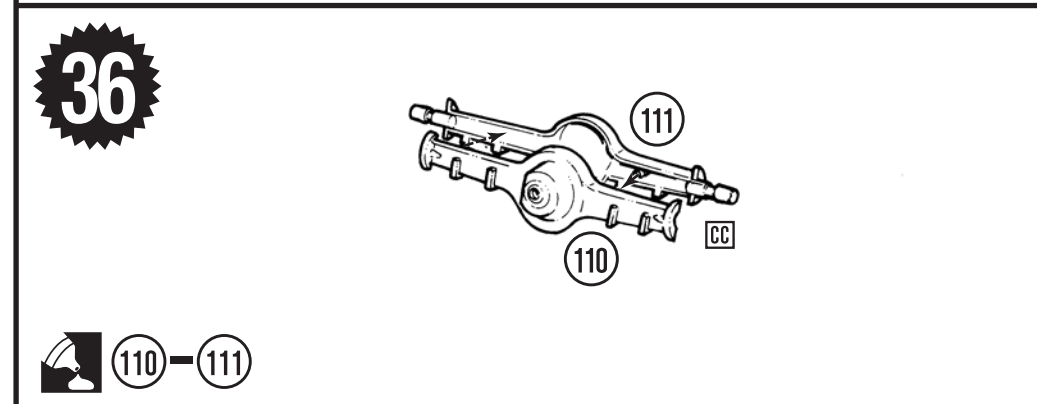
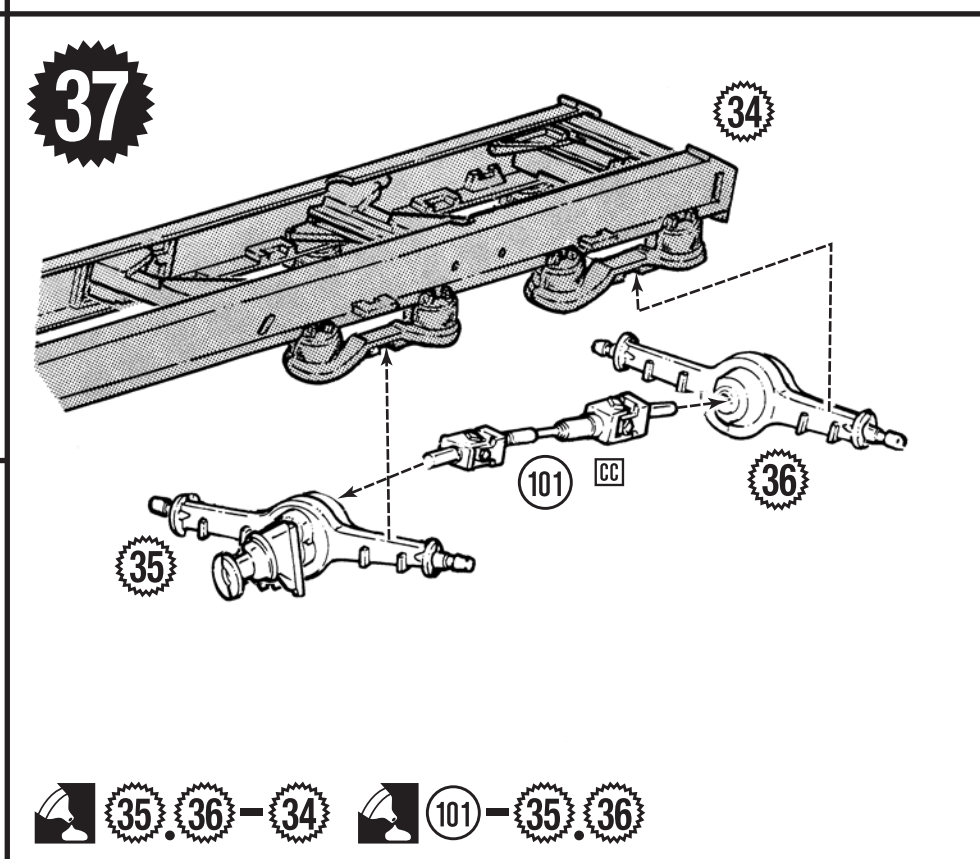
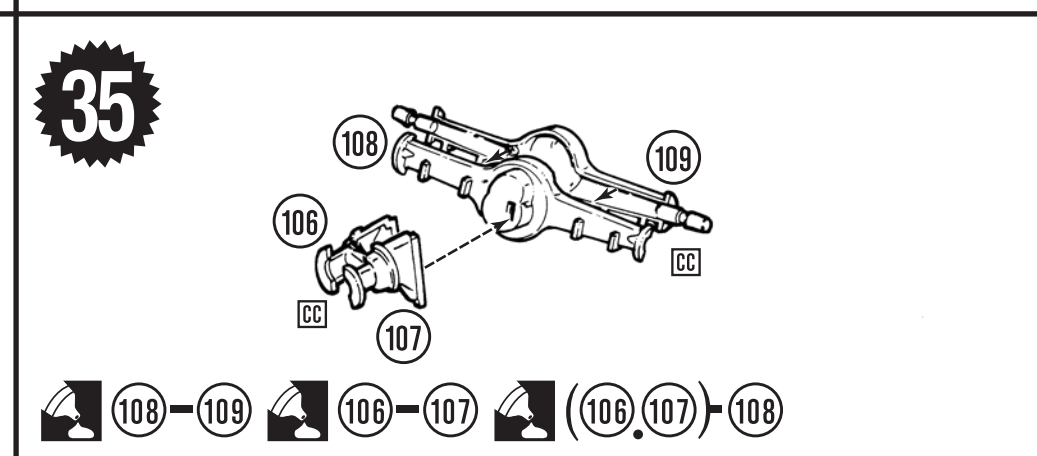
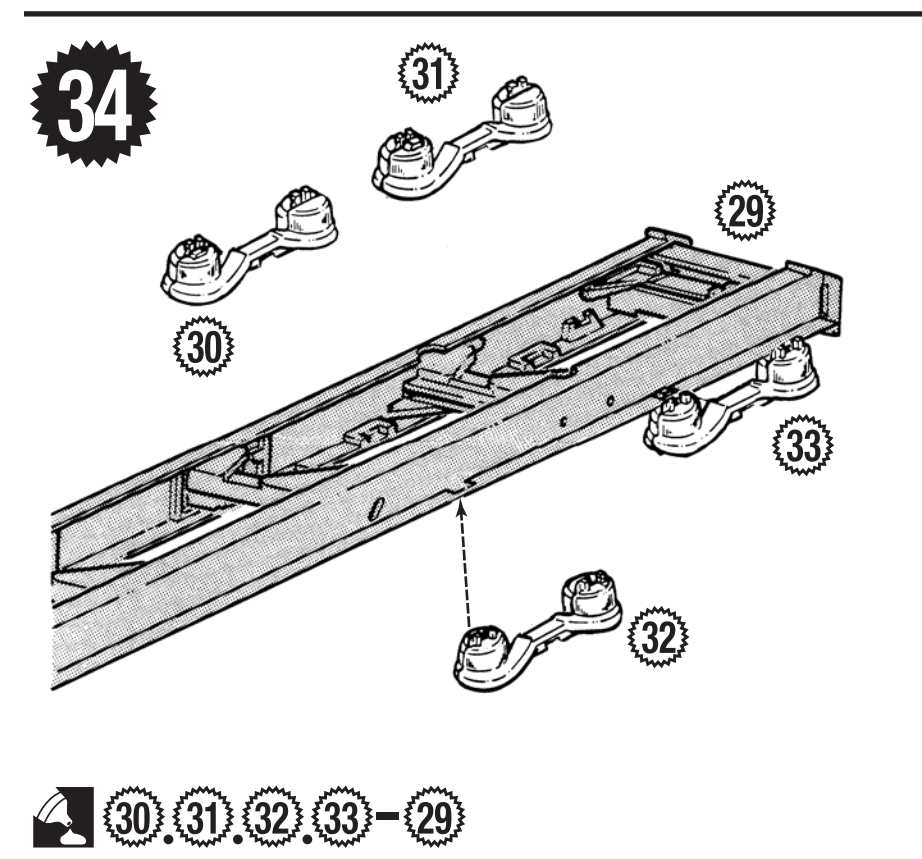
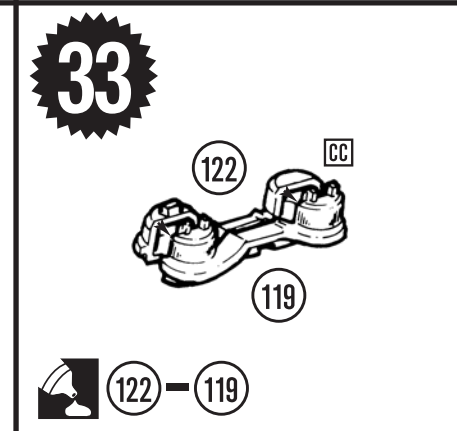
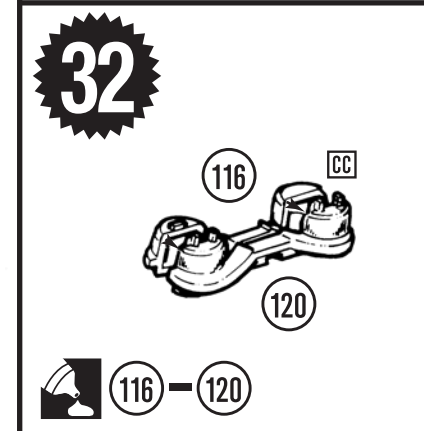
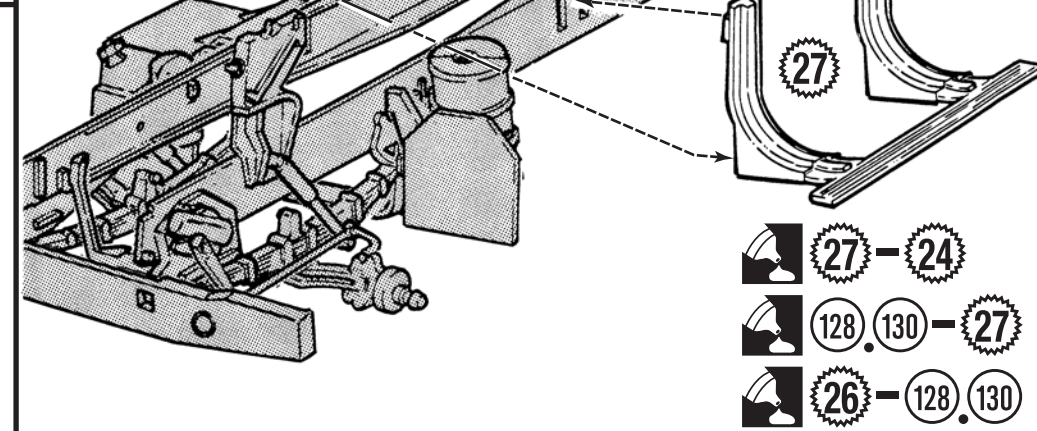
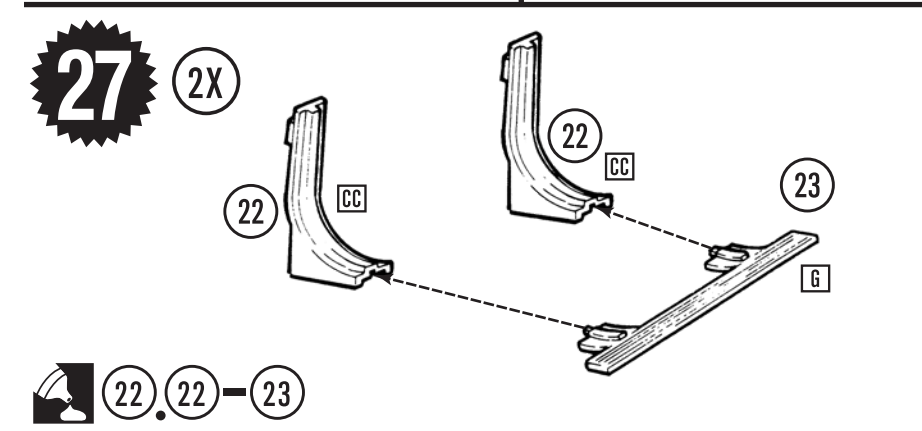
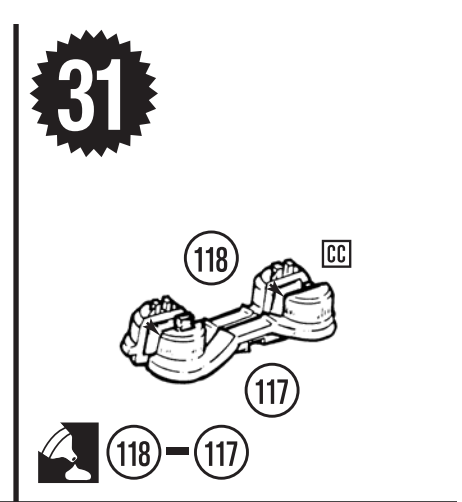
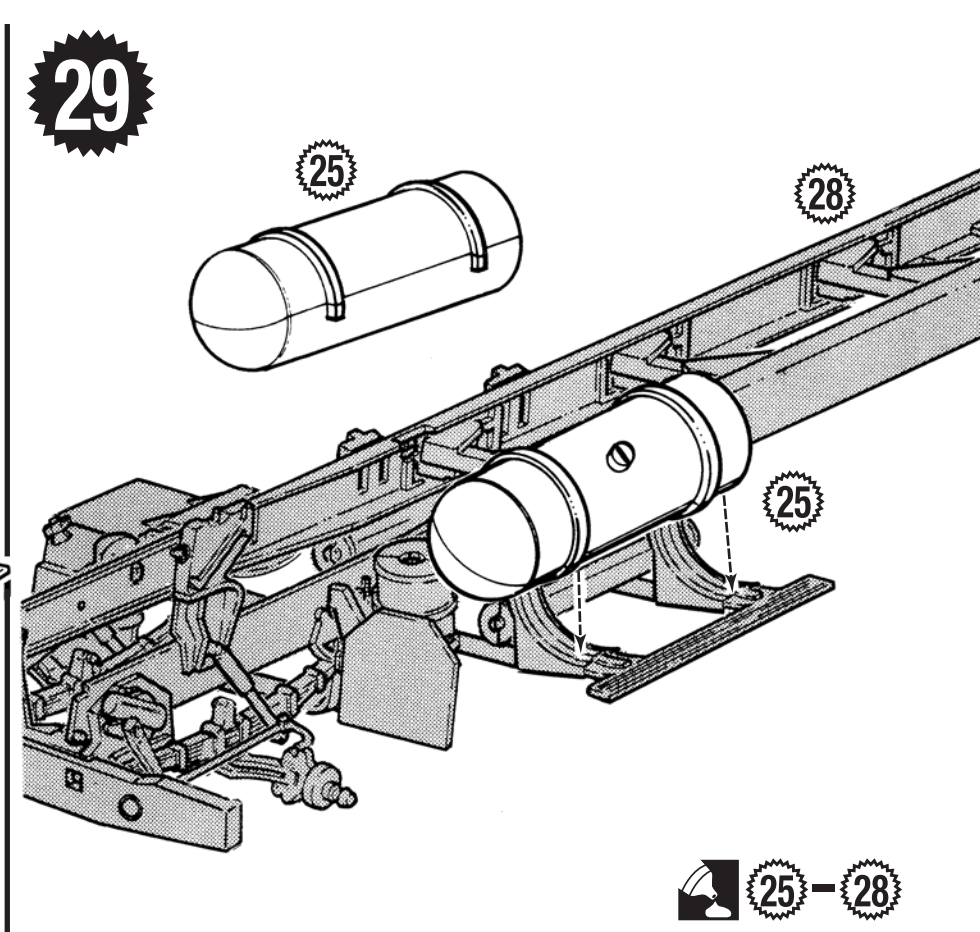
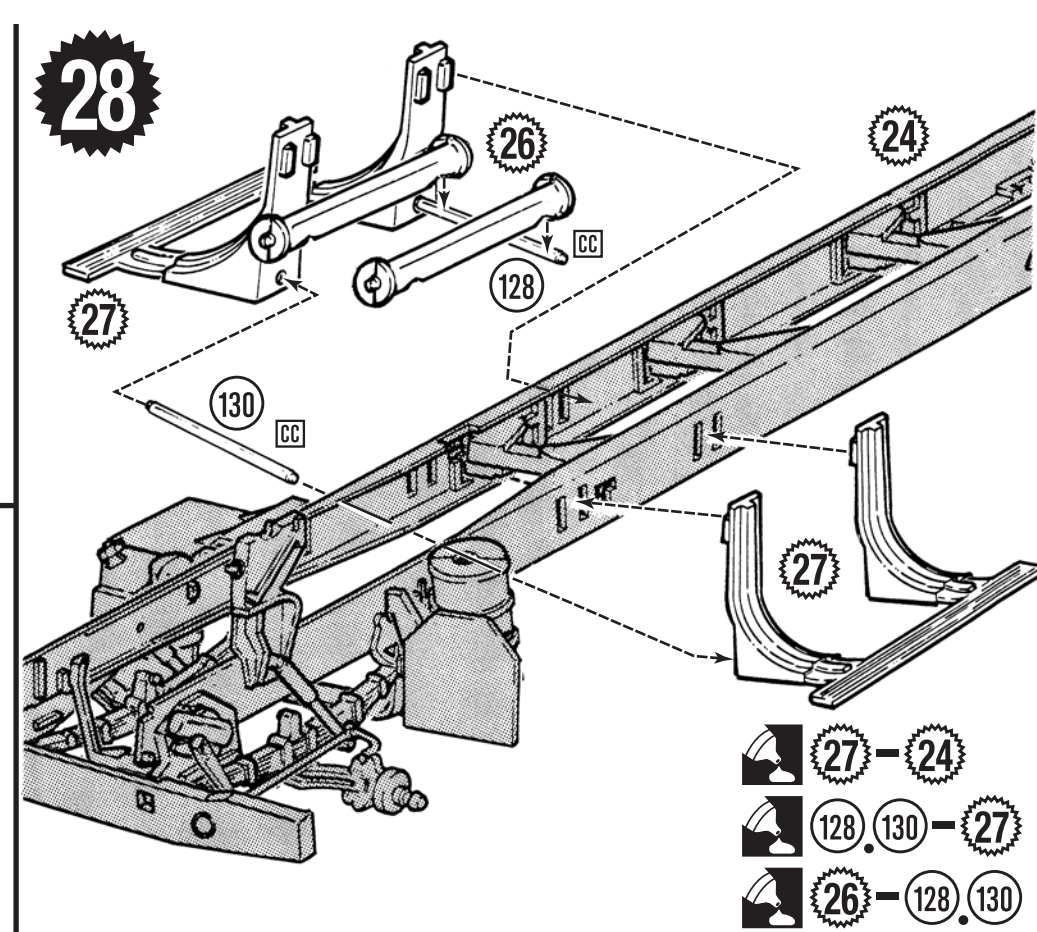
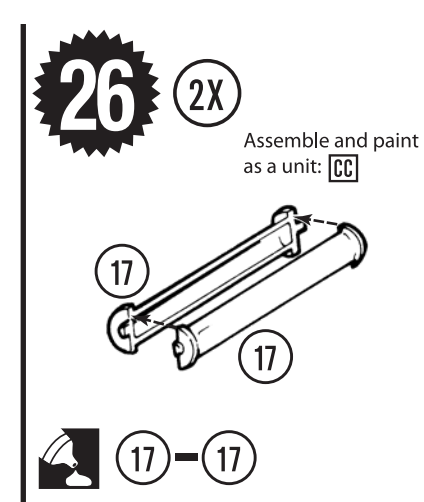
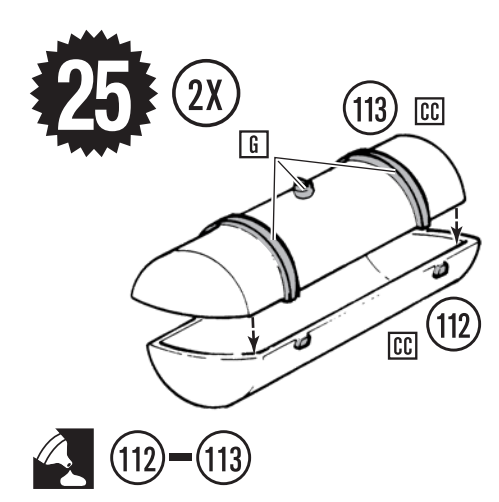


- 1, 302-105



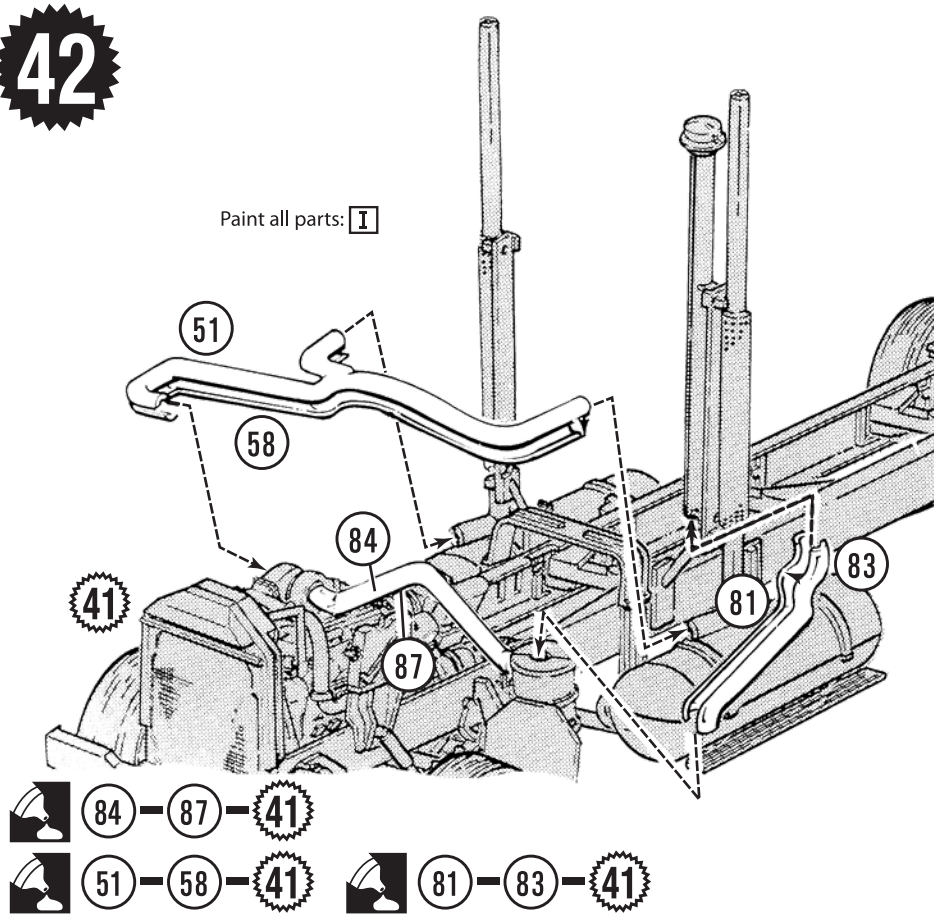
Assemble and paint as a unit: CC

- 103-132, 133
- 102-104-(132, 133)
- 100-99-(132, 133)
- 93-94-(132, 133)
- 96, 105-(132, 133)
- 125-99, 133
- 125-99, 132

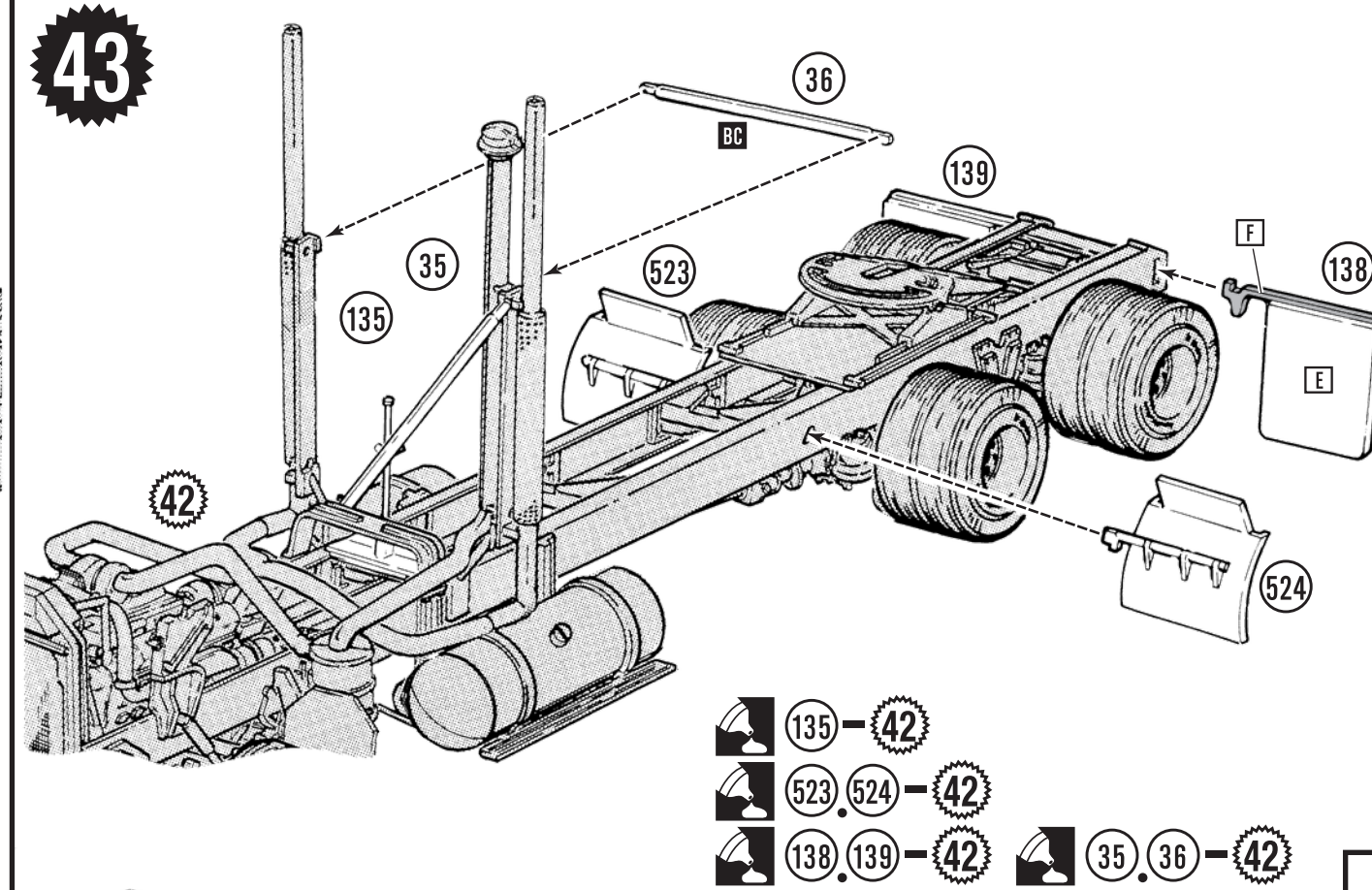


42

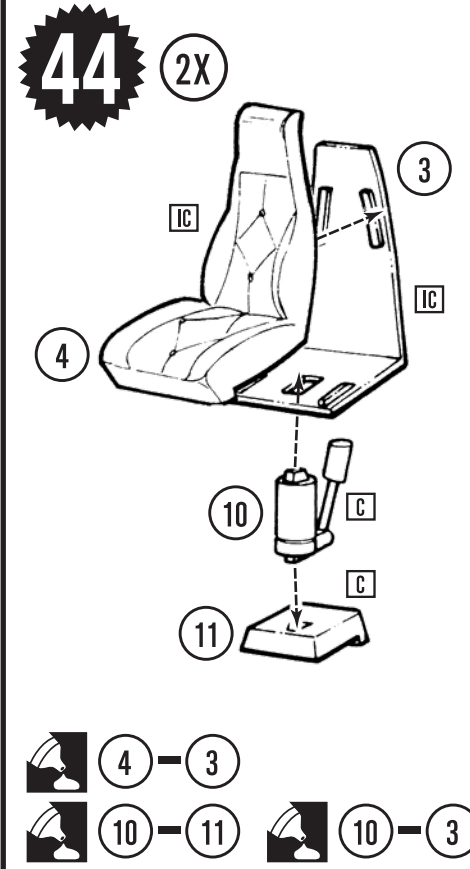
Paint all parts: I



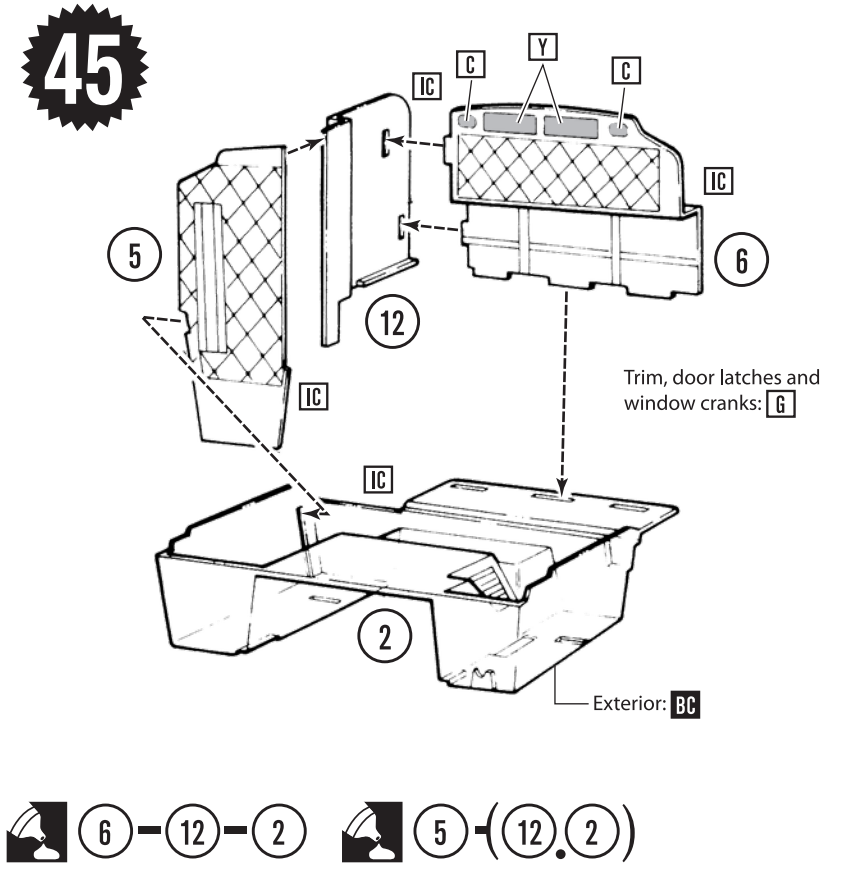
43



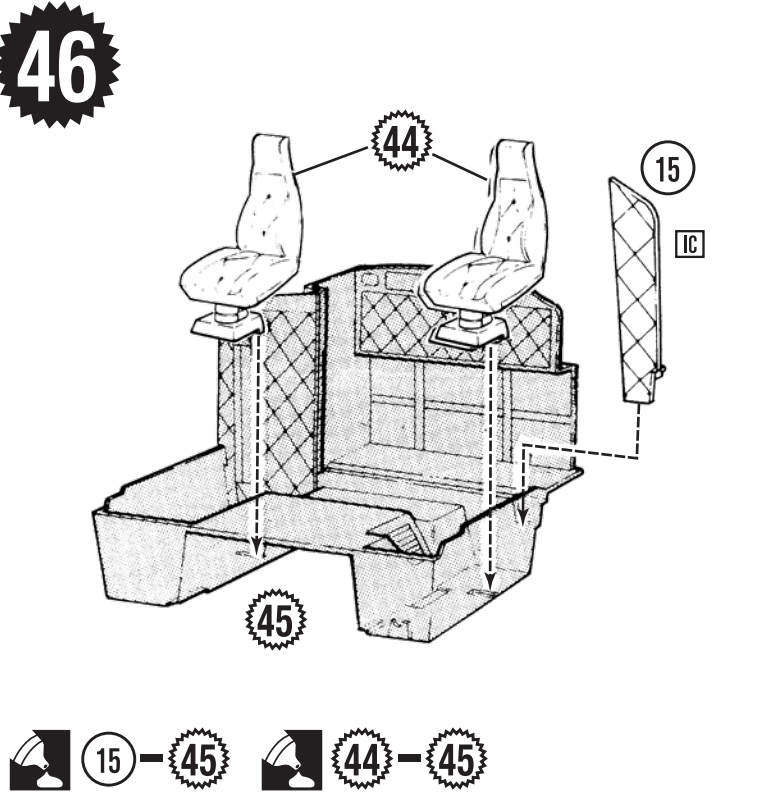
44



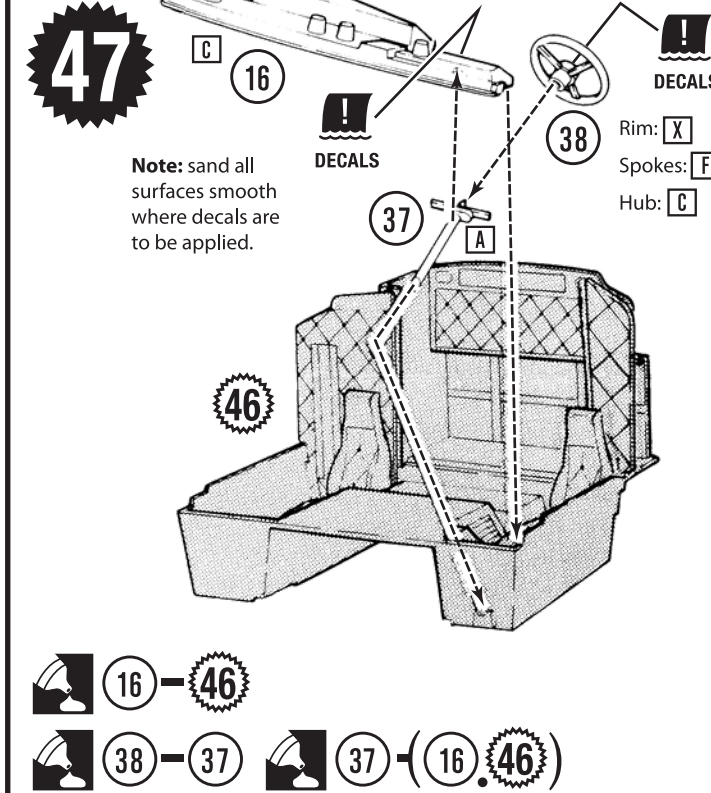
45



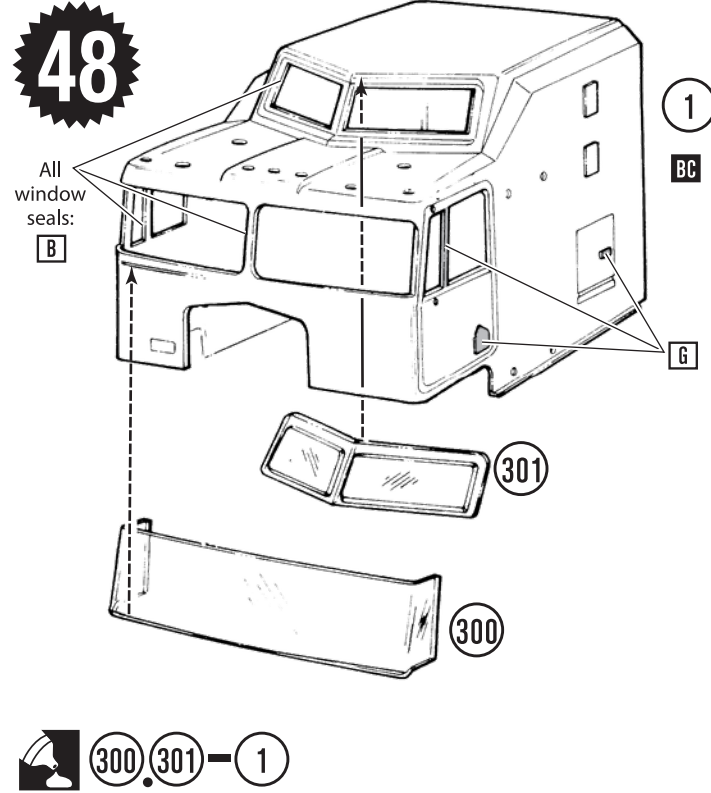
46



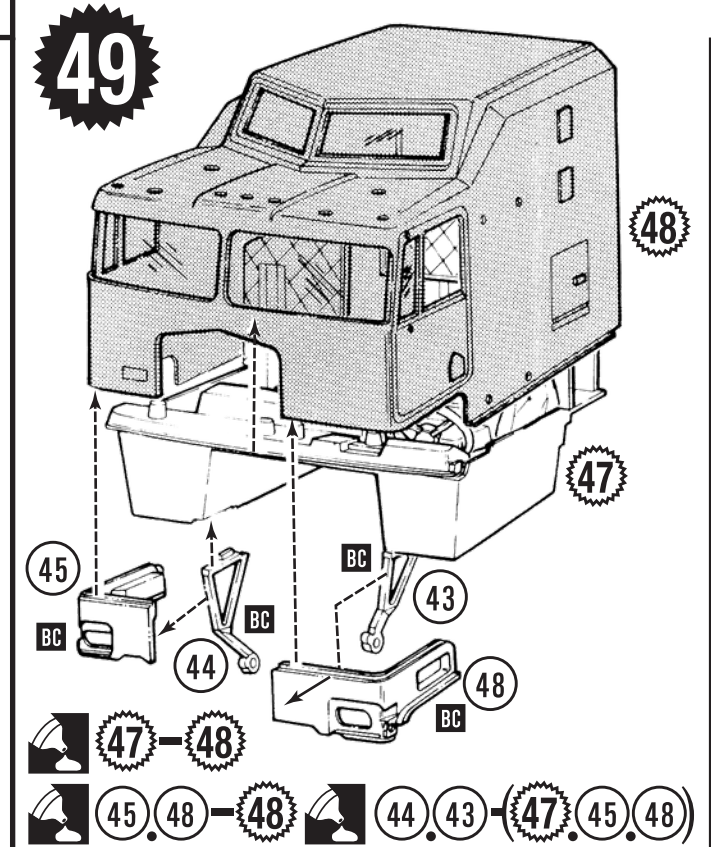
47



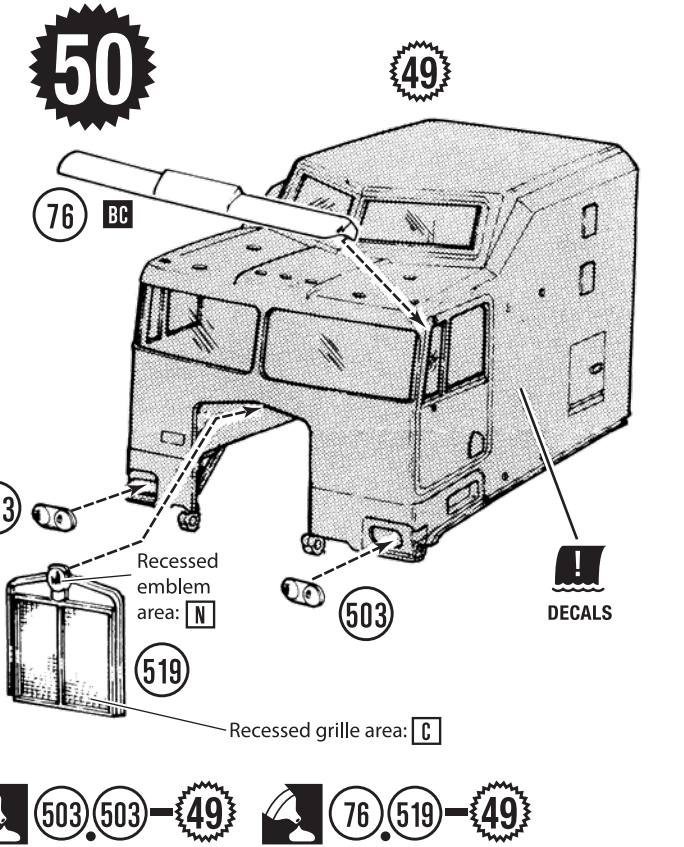
48



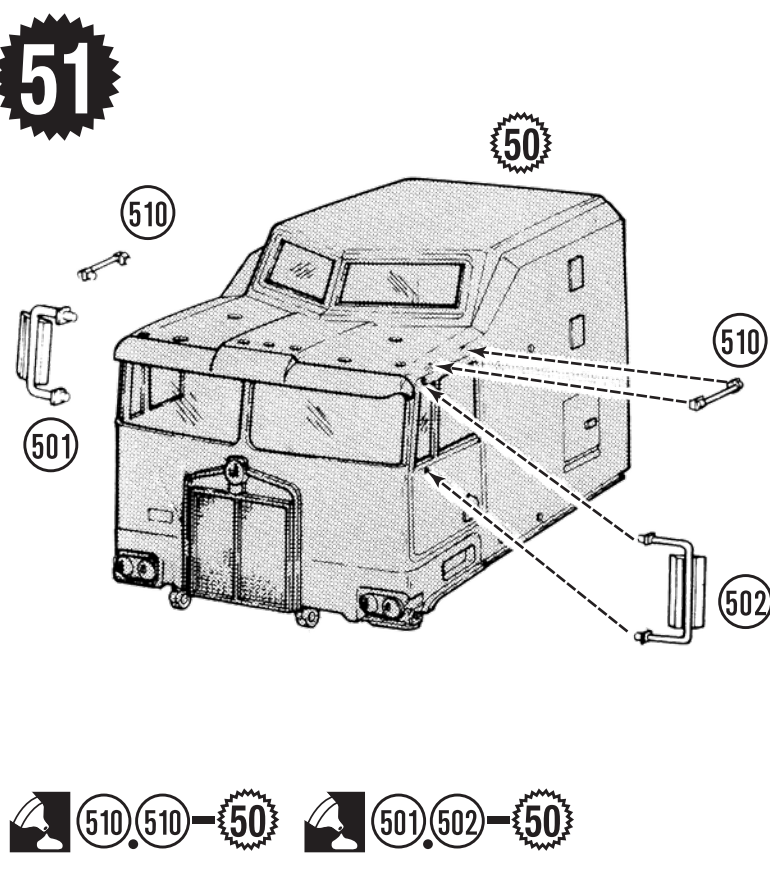
49



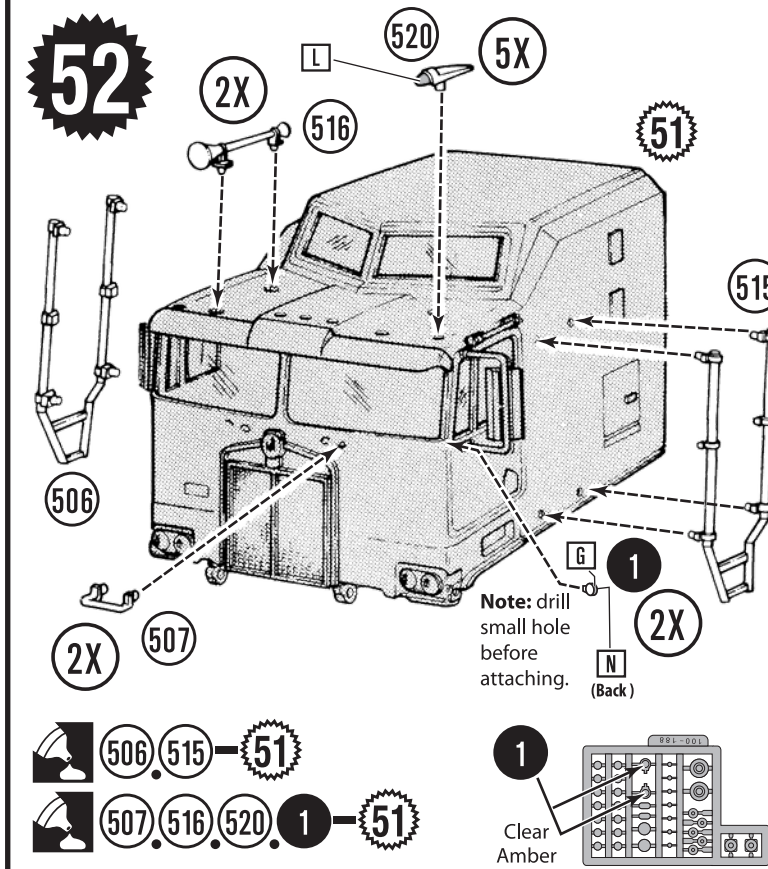
50



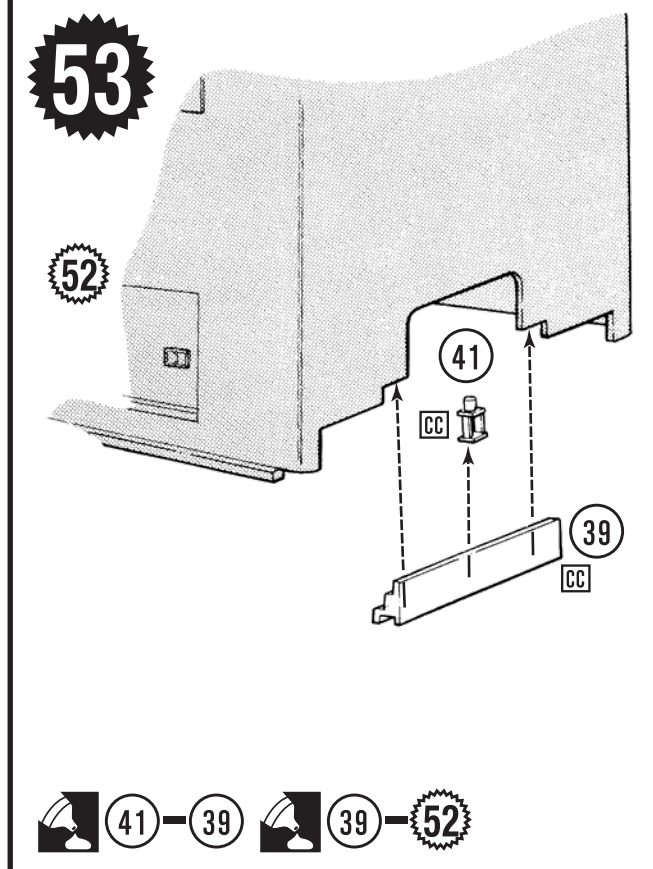
51



52



53



54

